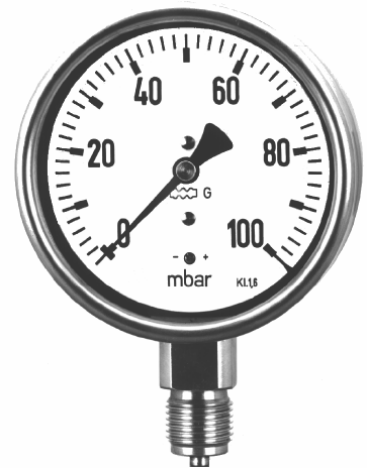
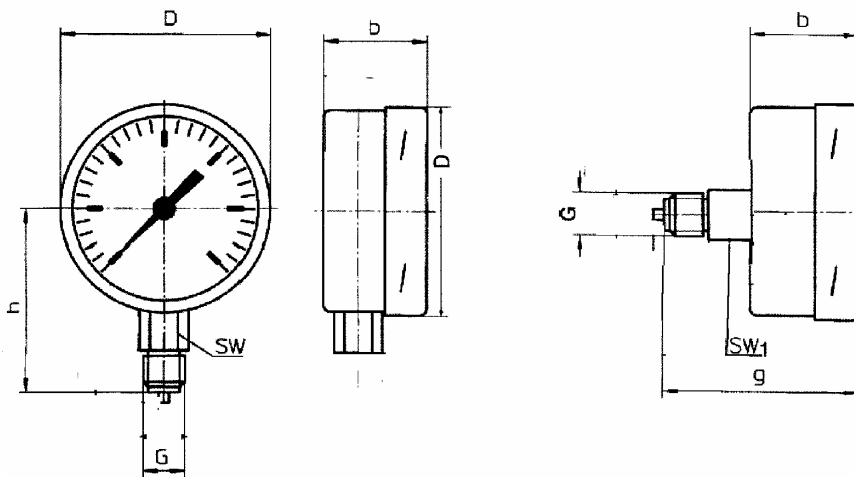


DIAPHRAGM CAPSULE GAUGE
 TYP KP 120 / KPR 120

MANOMETER
 PREISS



NG	D	b	h	G	g	SW
100	100	49	83	G1/2	94	27

- Diameter:** 100mm
- Accuracy:** 1,6
- Execution:** case and bajonet ring out of steel, black
- Wetted parts:** brass
- Measuring system:** diaphragm capsule system for extremely low pressure
- Dial:** Aluminium white ground, letters black
- Window:** glass
- Connection:** G ½, Optional ½ NPT
- Connection position:** bottom or centric (**KPR 120**)
- Option:**
- case out of stainless steel 1.4301
 - Stationary red pointer with external adjustment